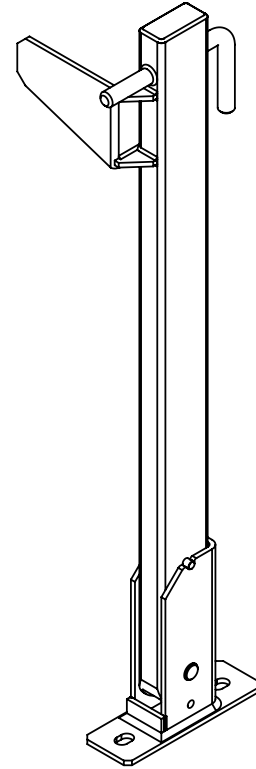
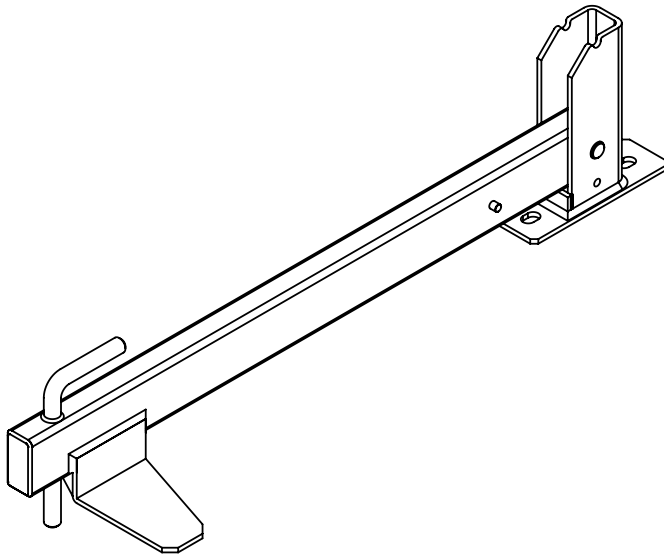
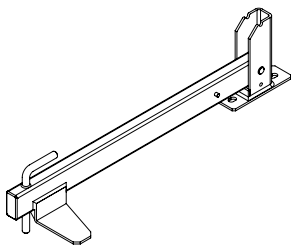


Loading Door Protector

INSTALLATION INSTRUCTIONS



Components



Loading Door Protector
CSLDP-KIT



Flang (2)
CSFHD-10



Anchors (4)
CS-HARDWARE-5830

Tools Required



Hammer
Drill



1/2" Drill
Bit



Impact
Driver



13/16"
Socket



Mallet



Tape
Measure



Pencil or
Marker



Dust
Pan



McCue Corporation
Peabody, Massachusetts, USA
+1 (800) 800 8503
customercare@mccue.com

McCue UK & Europe
Milton Keynes, United Kingdom
+44 (0)1908 365 511
uksales@mccue.com

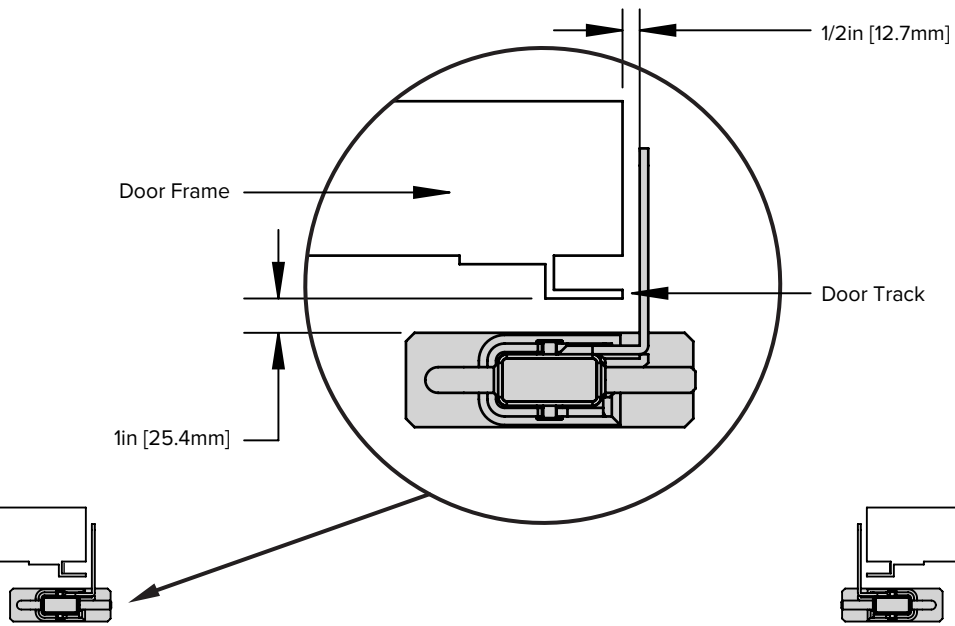
McCue Asia
迈客(厦门)有限公司
Xiamen, Fujian, China
+86-592-2200790

mccue.com

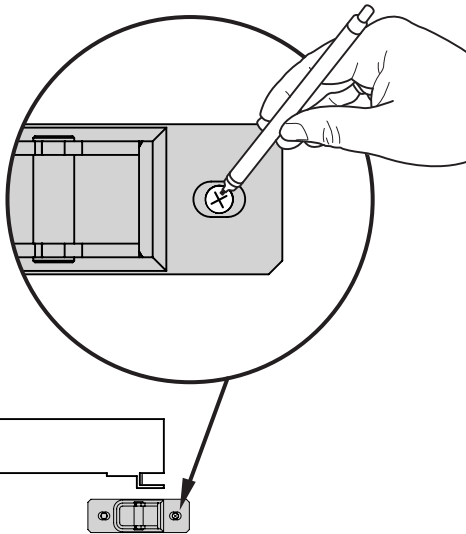




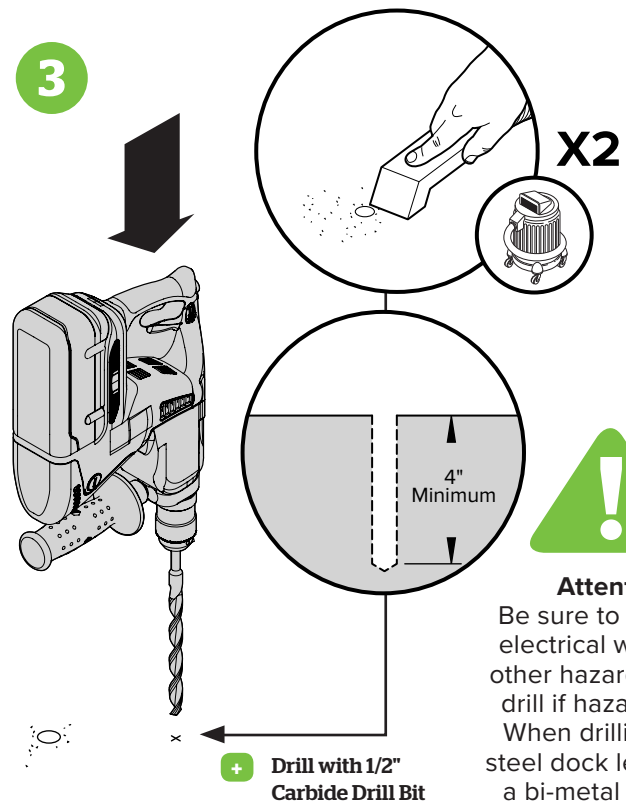
1



2



3



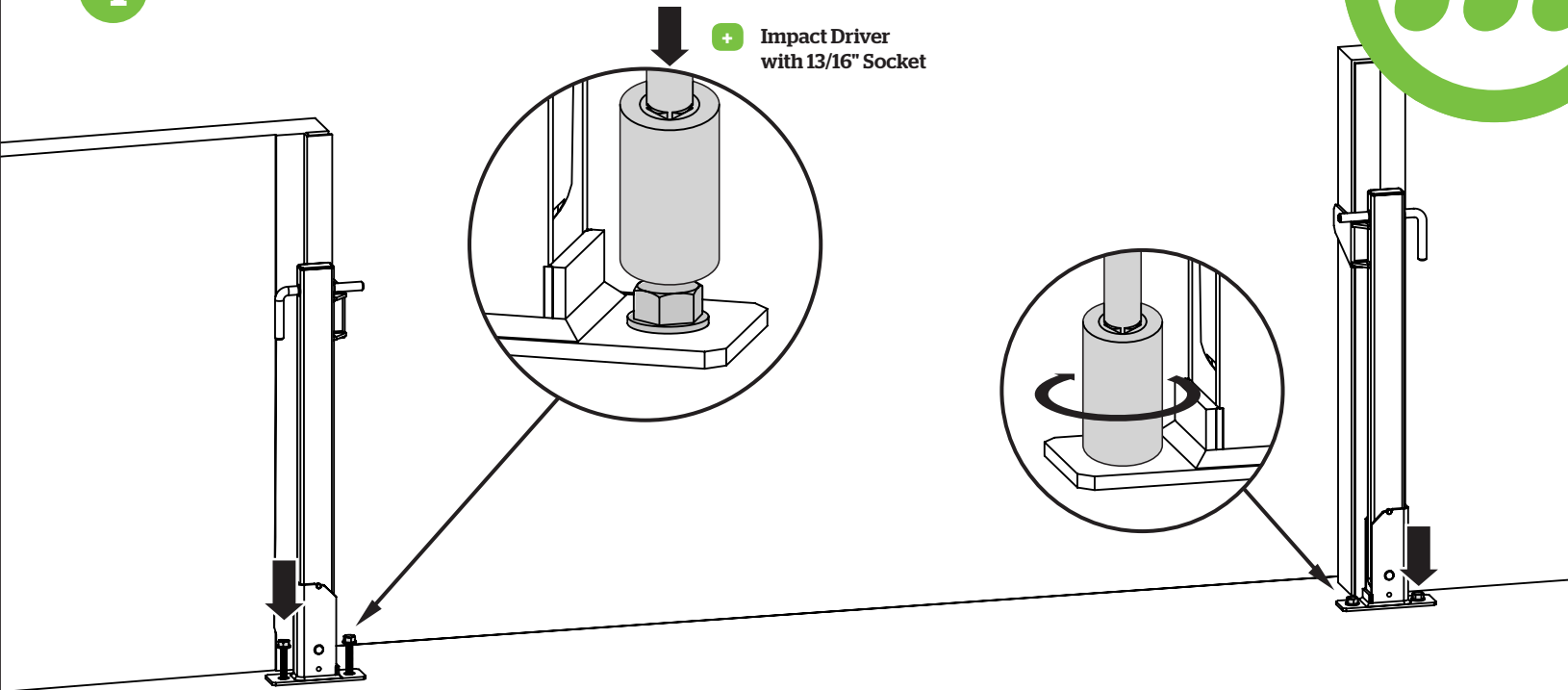
Attention:

Be sure to check for electrical wiring and other hazards. Do not drill if hazards exist. When drilling into a steel dock leveler, use a bi-metal hole saw and lubrication oil.

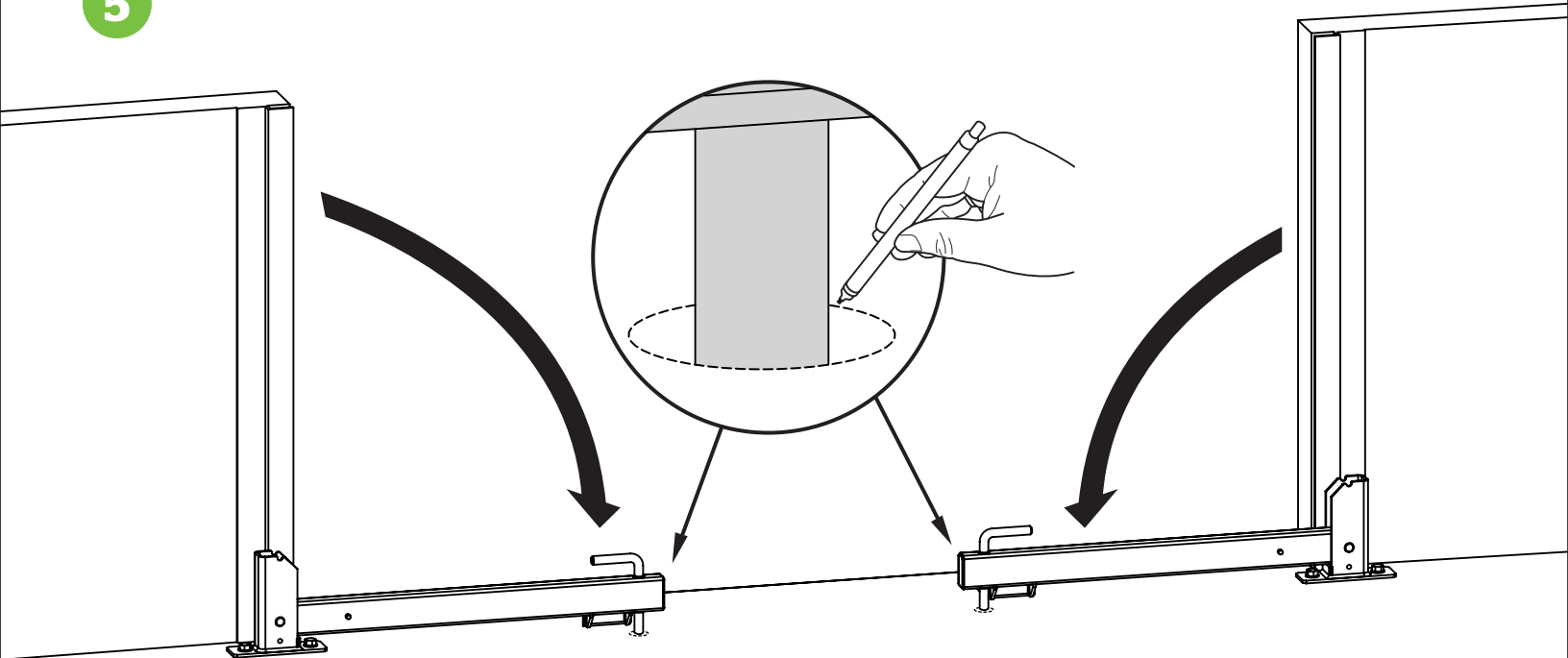


4

+ Impact Driver
with 13/16" Socket

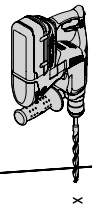
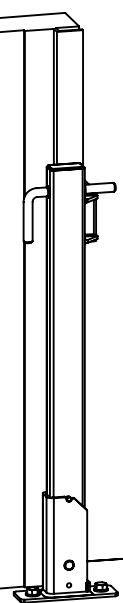


5

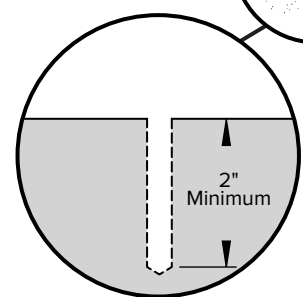




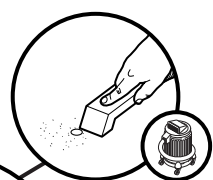
6



+ Drill with 1" Carbide Drill Bit

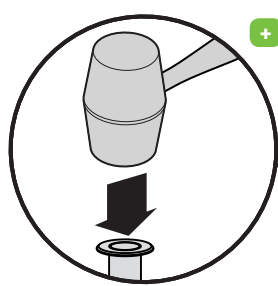
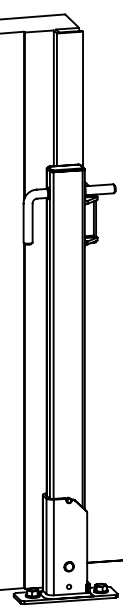


X2



Attention: Be sure to check for electrical wiring and other hazards. Do not drill if hazards exist.

7



+ Mallet



8

